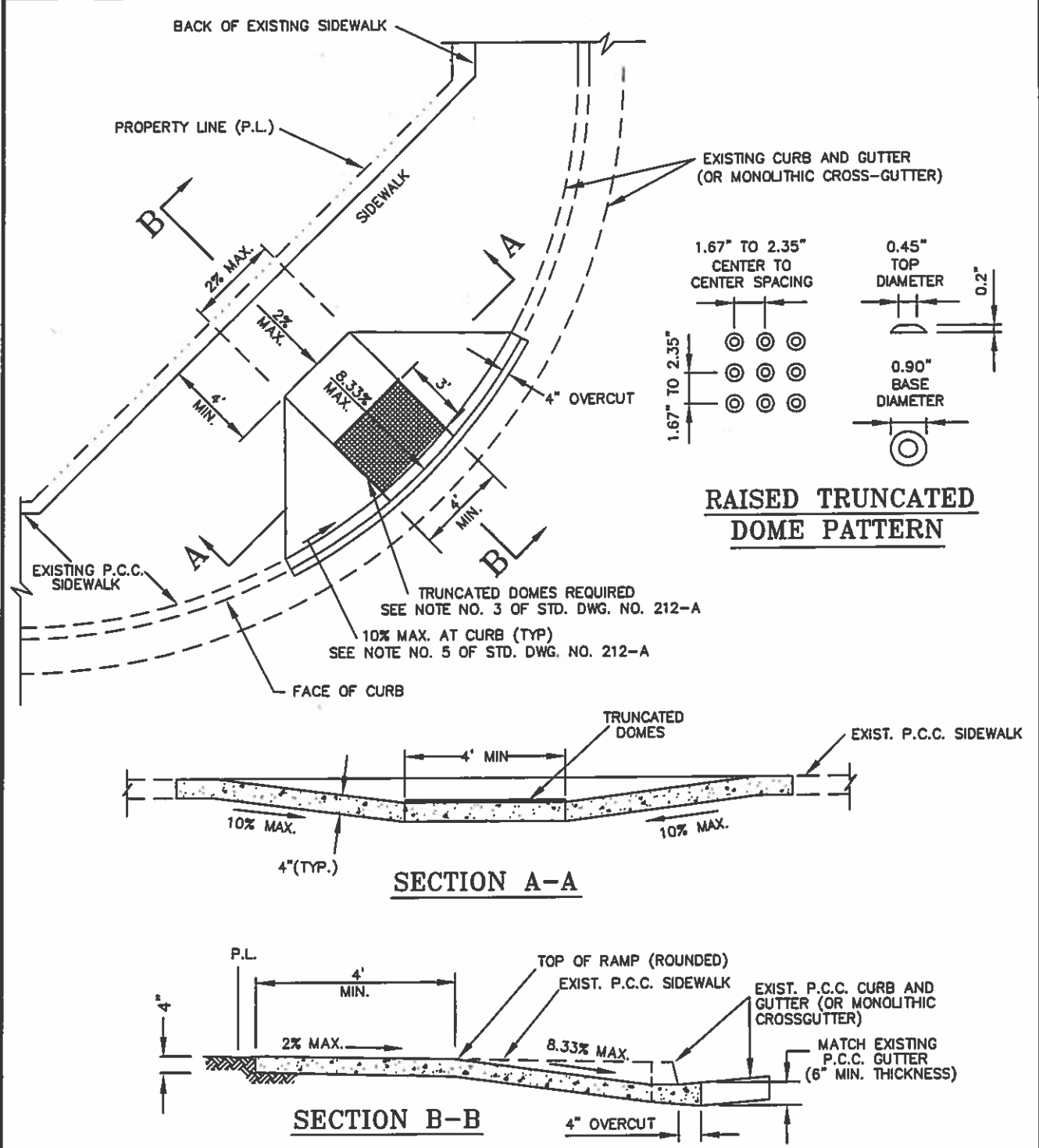
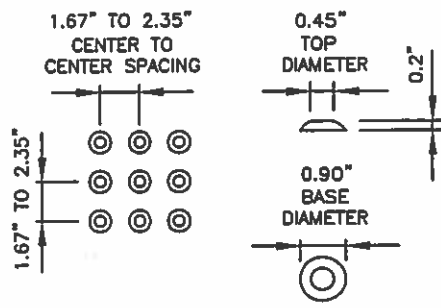


NO.	REVISIONS	APPROVED	DATE



RAISED TRUNCATED DOME PATTERN



NOTES:

1. P.C. CONC. SHALL BE MINIMUM 560-C-3250 CONCRETE IN ACCORDANCE WITH THE STANDARD SPECIFICATIONS FOR PUBLIC WORKS CONSTRUCTION (6 SACK).
2. SEE C.P.S. STANDARD DRAWING 212-A FOR GENERAL NOTES.

<p>CITY OF PALM SPRINGS PUBLIC WORKS & ENGINEERING DEPARTMENT</p>	<p>APPROVED: <i>[Signature]</i></p>	<p>DATE: 4/25/16</p>	<p>N.T.S.</p>
	<p>CITY ENGINEER</p>	<p>R.C.E.</p>	<p>157271</p>
<p>CURB RAMP DETAIL - TYPE A</p>	<p>DRAWN BY: G.F.F.</p>	<p>FILE NO. STANDARD</p>	
	<p>CHECKED BY: S.K.</p>	<p>DWG. NO. 212</p>	