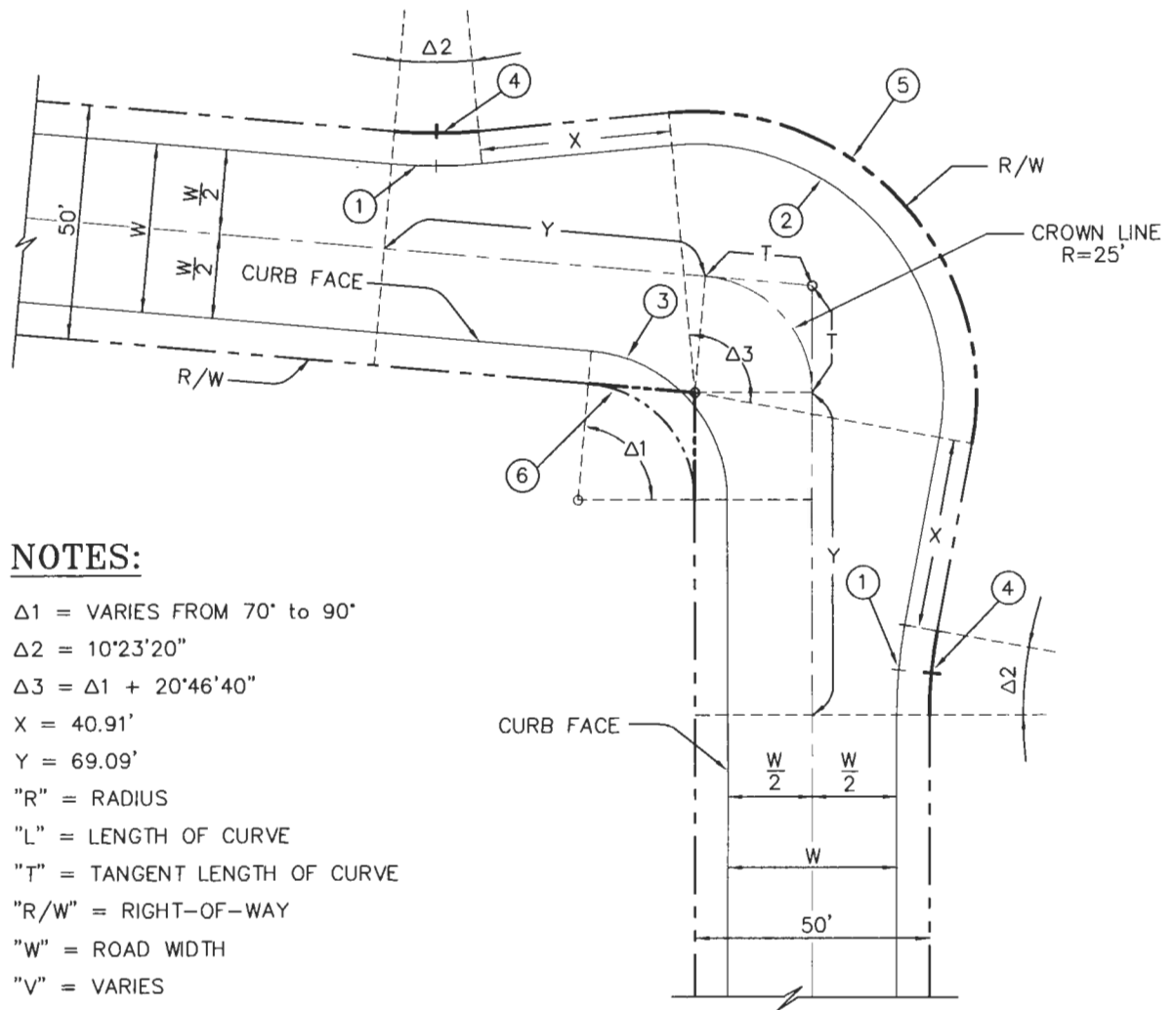


NO.	REVISIONS	APPROVED	DATE




NOTES:

- Δ1 = VARIES FROM 70° to 90°
- Δ2 = 10°23'20"
- Δ3 = Δ1 + 20°46'40"
- X = 40.91'
- Y = 69.09'
- "R" = RADIUS
- "L" = LENGTH OF CURVE
- "T" = TANGENT LENGTH OF CURVE
- "R/W" = RIGHT-OF-WAY
- "W" = ROAD WIDTH
- "V" = VARIES

CURVE DATA						CURVE DATA					
No.	W/2	DELTA	R	L	T	No.	W/2	DELTA	R	L	T
①	16	10°23'20"	109.00	19.76	9.91	③	16	Δ1	30.00	V	V
①	18	10°23'20"	107.00	19.40	9.73	③	18	Δ1	32.00	V	V
①	20	10°23'20"	105.00	19.04	9.55	③	20	Δ1	34.00	V	V
②	16	Δ1+20°46'40"	51.00	V	V	④	-	10°23'20"	100.00	18.13	9.09
②	18	Δ1+20°46'40"	53.00	V	V	⑤	-	Δ1+20°46'40"	60.00	V	V
②	20	Δ1+20°46'40"	55.00	V	V	⑥	-	Δ1	25.00	V	V

CITY OF PALM SPRINGS
 PUBLIC WORKS & ENGINEERING DEPARTMENT
STANDARD KNUCKLE FOR
MINOR STREETS

APPROVED: 
 CITY ENGINEER
 DRAWN BY: G.F.F. FILE NO. STANDARDS
 CHECKED BY: M.L.F. DWG. NO. **104**

DATE: 12/1/05
28931
 R.C.E.