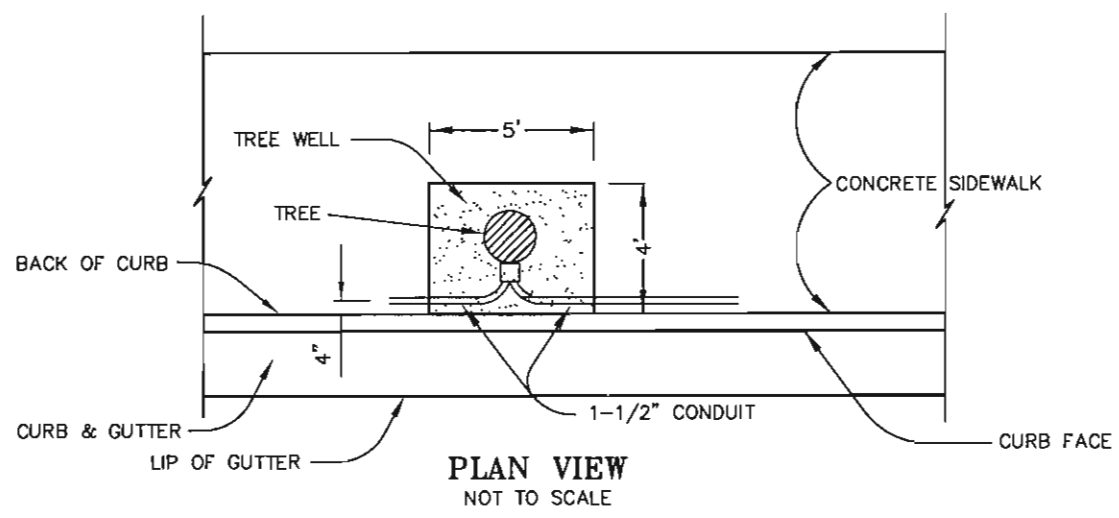
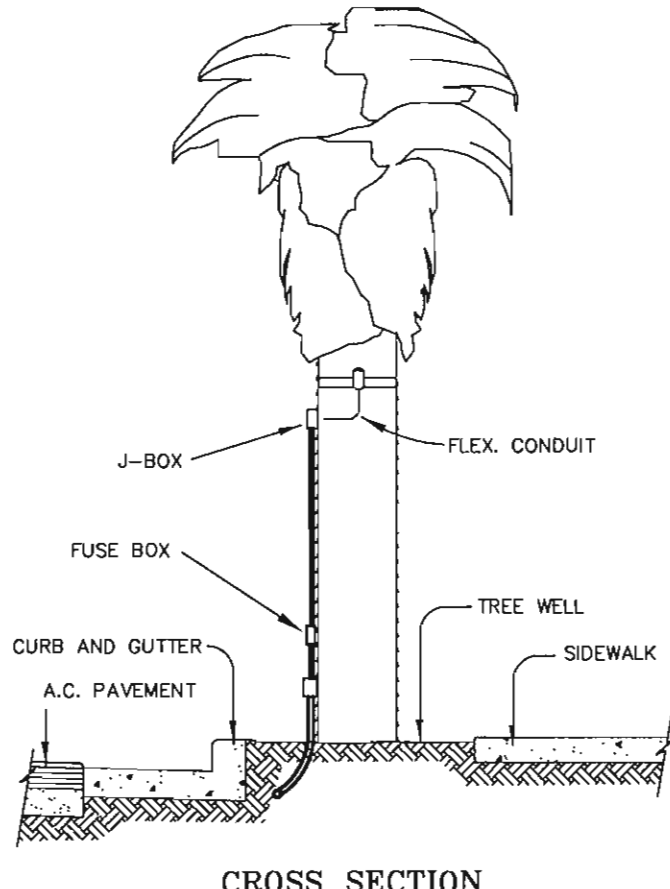
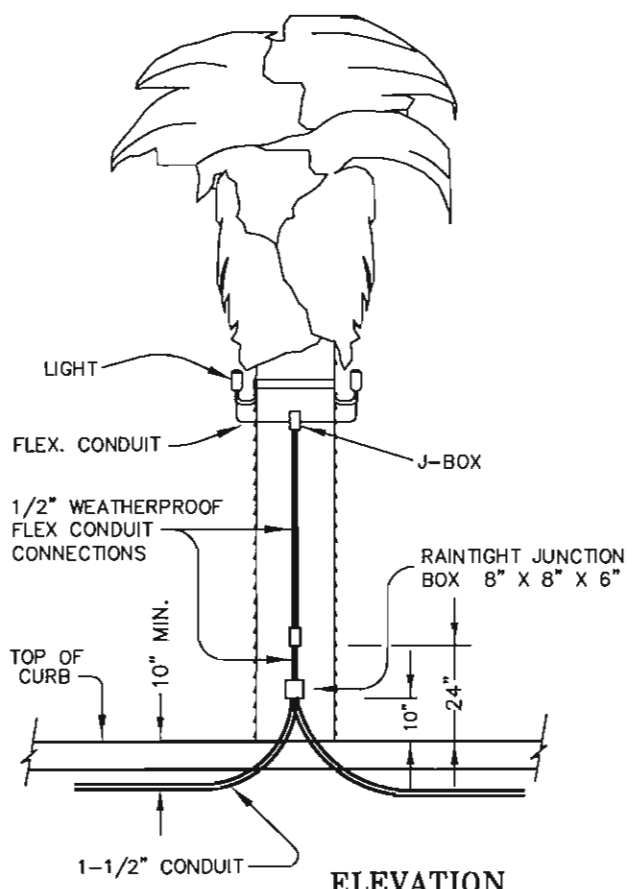


NO.	REVISIONS	APPROVED	DATE



CITY OF PALM SPRINGS PUBLIC WORKS & ENGINEERING DEPARTMENT	APPROVED: <i>[Signature]</i>	DATE: <u>1/30/02</u>
	CITY ENGINEER	28931
PALM TREE LIGHT ASSEMBLY JUNCTION BOX AND CONDUIT CONNECTION	DRAWN BY: G.F.F.	FILE NO. STANDARDS
	CHECKED BY: M.L.F.	DWG. NO. 1101