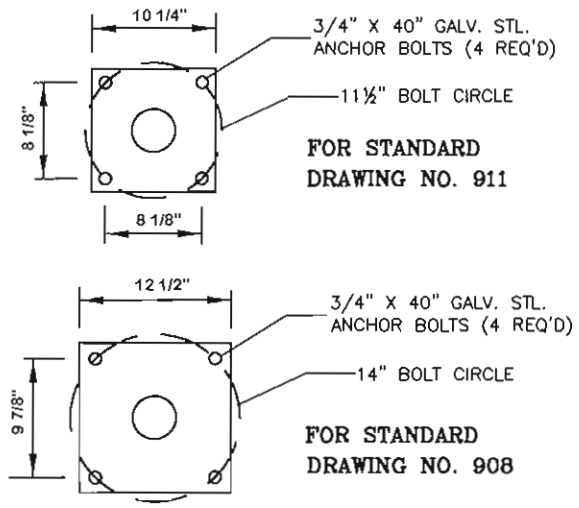
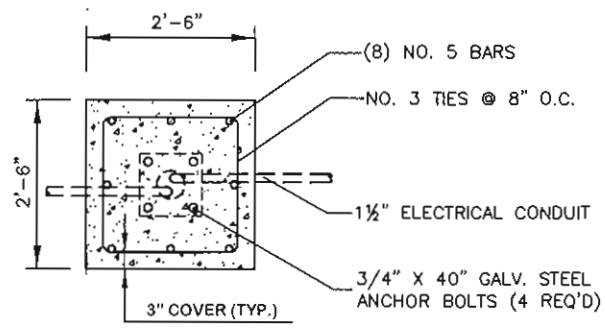


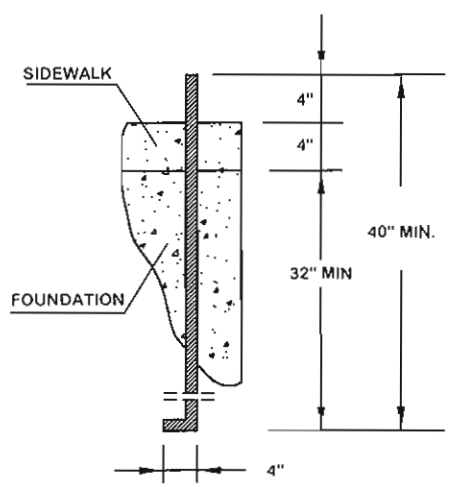
NO.	REVISIONS	APPROVED	DATE



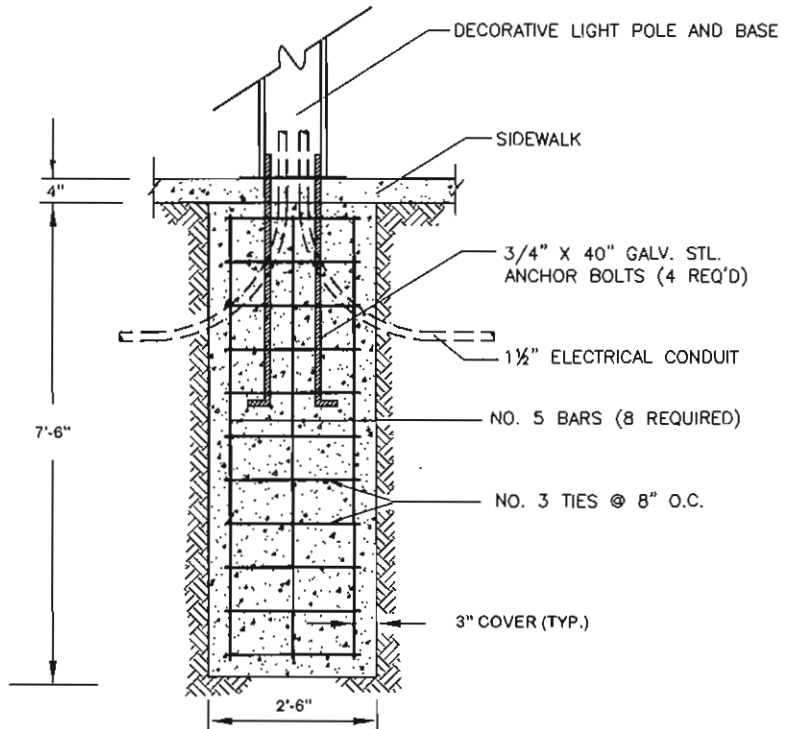
**ANCHOR BOLT PLACEMENT**  
NTS



**FOUNDATION PLAN**  
NTS



**ANCHOR BOLT DETAIL**  
NOT TO SCALE



**FOUNDATION DETAIL**  
NOT TO SCALE

**NOTES:**

1. ALL CONCRETE PLACED AGAINST EARTH SURFACE SHALL HAVE NOT LESS THAN 3" COVER OVER REINFORCING STEEL.
2. CONCRETE SHALL HAVE A MINIMUM COMPRESSIVE STRENGTH OF 2000 PSI AT 28 DAYS.
3. ALL ANCHOR BOLTS SHALL BE ASTM A 307 BENT ANCHOR BOLTS. FIELD BENDING NOT PERMITTED.
4. REINFORCED STEEL SHALL BE ASTM A 615 GRADE BARS, SIZED AS SHOWN BELOW. FIELD BENDING NOT PERMITTED.

**CITY OF PALM SPRINGS**  
PUBLIC WORKS & ENGINEERING DEPARTMENT

**FOUNDATION TYPE "B"**  
**FOR LUMINAIRE**

APPROVED: *[Signature]* DATE: *12/18/07*  
28931  
CITY ENGINEER R.C.E.

DRAWN BY: G.F.F. FILE NO. STANDARDS  
CHECKED BY: M.L.F. DWG. NO. 909