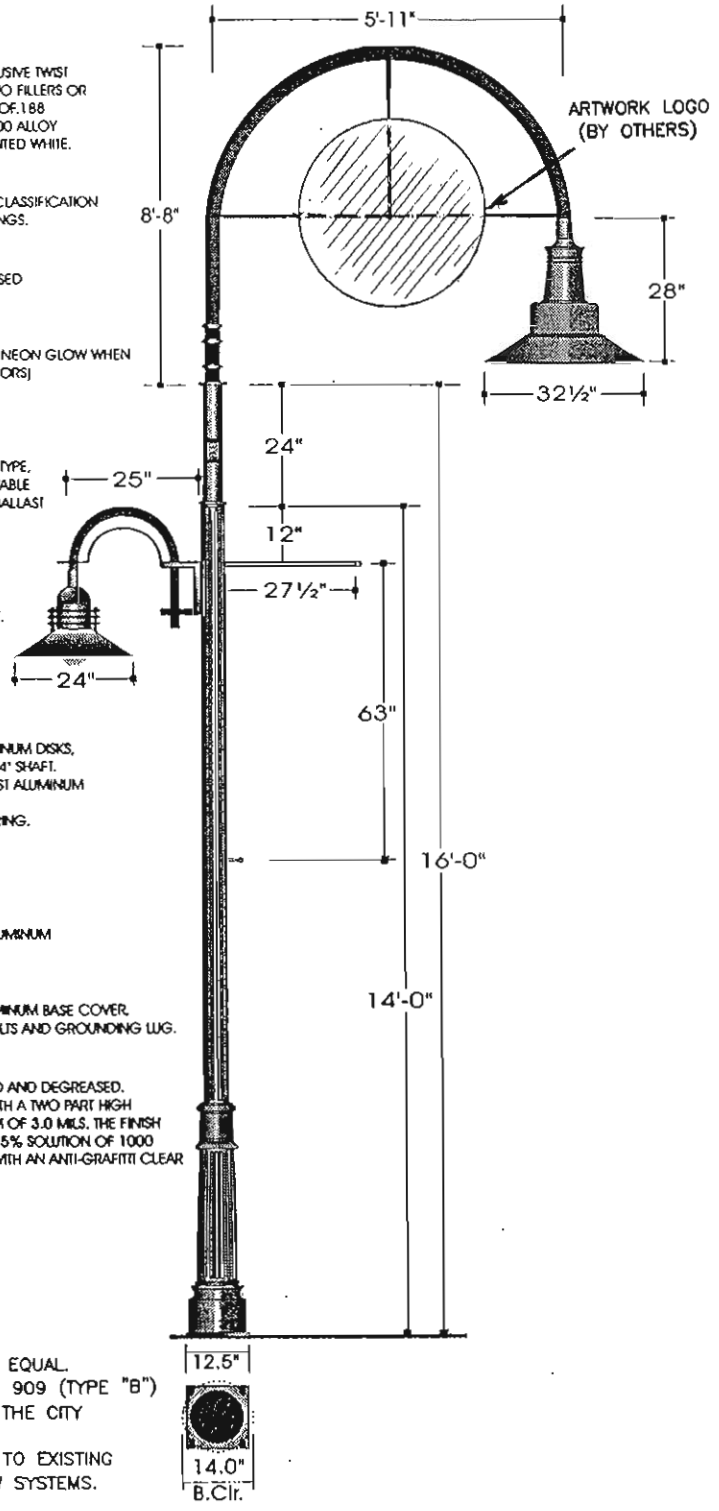


NO.	REVISIONS	APPROVED	DATE

- LUMINAIRES:**
ONE PIECE CAST ALUMINUM BALLAST HOUSING WITH AN EXCLUSIVE TWIST LOCK FITTER. THE CAST ALUMINUM IS A PURE 356 ALLOY WITH NO FILLERS OR FOREIGN MATERIAL. THE CASTING HAS A UNIFORM THICKNESS OF .188 MINIMUM. THE SPUN ALUMINUM REFLECTOR HOOD IS PURE 1100 ALLOY WITH A MINIMUM .080 WALL THICKNESS. THE UNDERSIDE IS PAINTED WHITE.
- REFLECTOR:**
SPUN ALUMINUM DOME, DESIGNED TO PRODUCE AN ANSI IES CLASSIFICATION TYPE V DISTRIBUTION FOR EVEN ILLUMINATION OF THE GLOW RINGS.
- DIFFUSERS:**
ONE-PIECE U.V. STABILIZED OPAL ACRYLIC, SEALED WITH A CLOSED CELL NEOPRENE GASKET.
- OUTER RINGS:**
U.V. STABILIZED .375" THICK CLEAR ACRYLIC THAT PRODUCES A NEON GLOW WHEN THE FIXTURE IS ILLUMINATED. (SEE OPTIONS FOR GLOWING COLORS)
- BALLASTS:**
UPPER LUMINAIRE-70 WATT HIGH PRESSURE SODIUM.
LOWER LUMINAIRE-70 WATT METAL HALIDE.
BOTH ARE 120 VOLT, HIGH POWER FACTOR CORE AND COR. TYPE, RATED FOR -20 DEGREES F STARTING. MOUNTED ON A REMOVABLE TRAY AND PREWIRED TO A QUICK DISCONNECT PLUG. EACH BALLAST IS THOROUGHLY TESTED PRIOR TO SHIPMENT.
- LAMP HOLDERS:**
HEAVY DUTY 600 VOLT MOGUL BASE PORCELAIN SOCKETS WITH A COPPER ALLOY NICKEL PLATED SCREW SHELL, LAMP GRIPS, AND A SPRING LOADED CENTER CONTACT.
- LAMPS:**
UPPER LUMINAIRE-70 WATT HIGH PRESSURE SODIUM.
LOWER LUMINAIRE-70 WATT METAL HALIDE.
- ARMS:**
UPPER LUMINAIRE-2 1/4" IPS ALUMINUM PIPE WITH (3)CAST ALUMINUM DISKS, WELDED TO A ALUMINUM SLIPFITTER, SECURED TO 4" DIA. X 24" SHAFT.
LOWER LUMINAIRE-1 1/2" IPS ALUMINUM PIPE, WELDED TO A CAST ALUMINUM MOUNTING BRACKET SECURED TO POLE.
BANNER-1 1/2" IPS ALUMINUM PIPE AND EYE BOLT FOR ANCHORING.
- LOGO:**
VARIES AS APPROVED BY THE CITY ENGINEER
- SHAFT:**
4" DIAMETER X 24" ALUMINUM EXTENSION WELDED TO AN ALUMINUM SLIPFITTER TO SLIPFIT 6" ROUND POLE.
- POLE:**
6" DIAMETER FLUTED ALUMINUM WITH DECORATIVE CAST ALUMINUM BASE COVER, ANCHOR BASE, HANDHOLE, HANDHOLE COVER, ANCHOR BOLTS AND GROUNDING WUG.
- FINISH:**
ALL EXPOSED SURFACES ARE SANDED THOROUGHLY, CLEANED AND DEGREASED. A PRETREATMENT WASH PRIMER IS APPLIED AND IS SPRAYED WITH A TWO PART HIGH SOLID U.V. STABILIZED POLYURETHANE COATING TO A MINIMUM OF 3.0 MILS. THE FINISH MEETS SALT SPRAY RESISTANCE TEST ASTM B117 95 DEGREE F., 5% SOLUTION OF 1000 HOURS EXPOSURE TEST. COLOR TO BE PREMIUM VERDIGRIS WITH AN ANTI-GRAFFITI CLEAR COAT FINISH.
- U.L.:**
U.L. LISTED, SUITABLE FOR WET LOCATION.



NOTES:

- MANUFACTURED BY DELTA LIGHTING SYSTEMS INC. OR EQUAL.
- FOR FOUNDATION DETAIL SEE STANDARD DRAWING NO. 909 (TYPE "B")
- LAMP WATTAGE AND TYPE SUBJECT TO APPROVAL OF THE CITY ENGINEER.
- LAMP VOLTAGE SHALL BE AS REQUIRED TO CONNECT TO EXISTING ELECTRICAL SYSTEM OR AS SHOWN HEREON FOR NEW SYSTEMS.

CITY OF PALM SPRINGS PUBLIC WORKS & ENGINEERING DEPARTMENT WALKWAY LUMINAIRE WITH UPPER ROADWAY LIGHTING	APPROVED: <i>[Signature]</i>	DATE: <i>12/18/07</i> 28931
	CITY ENGINEER	R.C.E.
DRAWN BY: G.F.F.	FILE NO. STANDARDS	
CHECKED BY: M.L.F.	DWG. NO.	908