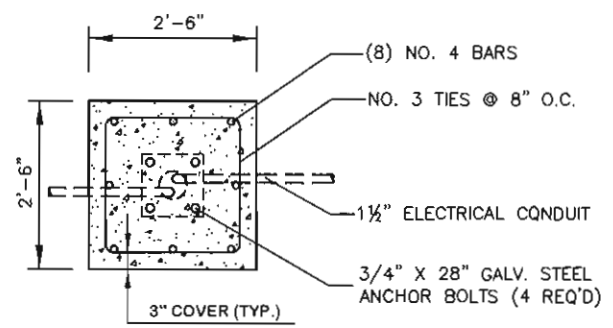
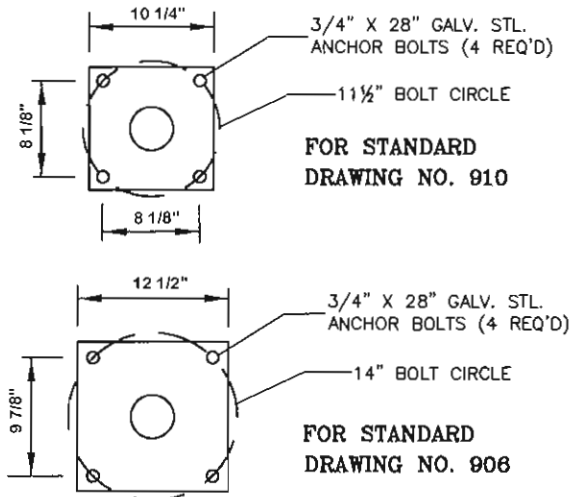
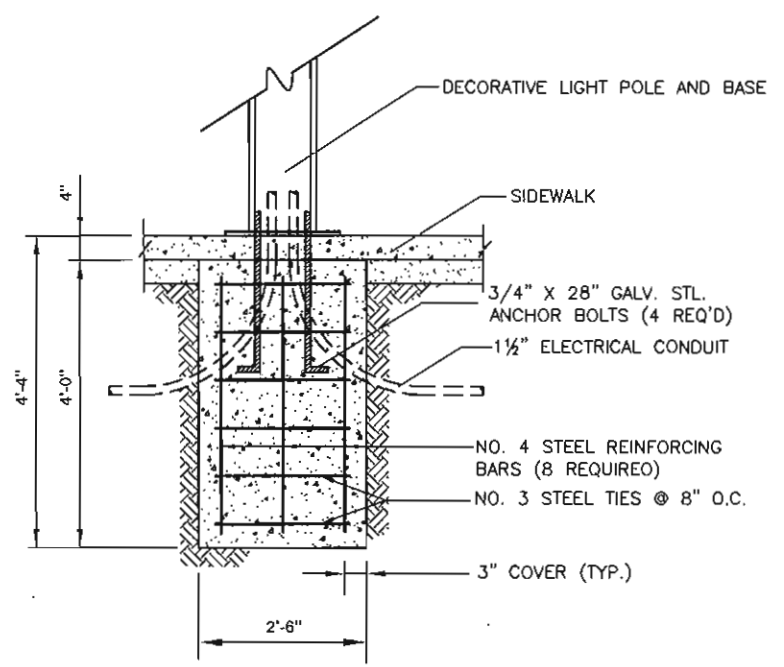
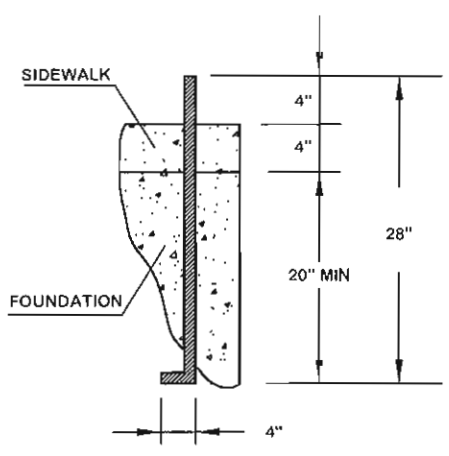


NO.	REVISIONS	APPROVED	DATE



ANCHOR BOLT PLACEMENT
NTS



NOTES:

1. ALL CONCRETE PLACED AGAINST EARTH SURFACE SHALL HAVE NOT LESS THAN 3" COVER OVER REINFORCING STEEL.
2. CONCRETE SHALL HAVE A MINIMUM COMPRESSIVE STRENGTH OF 2000 PSI AT 28 DAYS.
3. ALL ANCHOR BOLTS SHALL BE ASTM A 307 BENT ANCHOR BOLTS. FIELD BENDING NOT PERMITTED.
4. REINFORCED STEEL SHALL BE ASTM A 615 GRADE BARS, SIZED AS SHOWN BELOW. FIELD BENDING NOT PERMITTED.

<p>CITY OF PALM SPRINGS PUBLIC WORKS & ENGINEERING DEPARTMENT</p>	<p>APPROVED: <i>[Signature]</i> DATE: <i>12/18/07</i></p>
	<p>CITY ENGINEER 28931 R.C.E.</p>
<p>FOUNDATION TYPE "A" FOR LUMINAIRE</p>	<p>DRAWN BY: G.F.F. FILE NO. STANDARDS</p>
	<p>CHECKED BY: M.L.F. DWG. NO. 907</p>