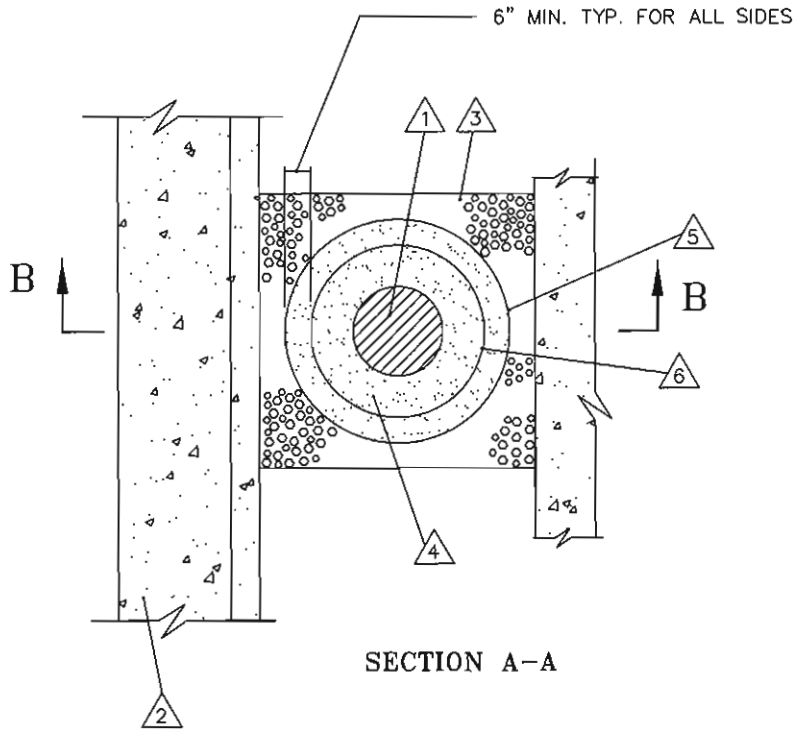
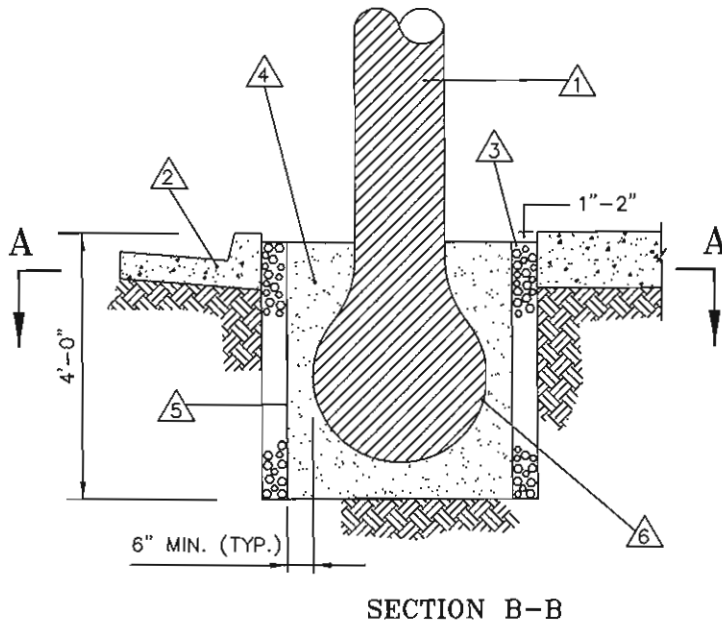


NO.	REVISIONS	APPROVED	DATE



LEGEND:

- △ 1. EXISTING TREE
- △ 2. EXISTING CURB AND GUTTER
- △ 3. 3/4" - 1-1/2" GRAVEL OR CRUSHED ROCK
- △ 4. BACKFILL W/ TOPSOIL AND PEATMOSS 3:1 BY VOLUME IN 9" LAYERS. WATER EACH LAYER UNTIL SETTLED. DO NOT TAMP.
- △ 5. DEEP ROOT BARRIER
- △ 6. ROOT BALL



NOTE:

DEEP ROOT BARRIER SHALL BE MANUFACTURED BY DEEP ROOT CORP OF WESTMINSTER CA., STOCK NO. UB 24-2 OR THE EQUIVALENT MADE BY CENTURY PRODUCTS OF YORBA LINDA CA., OR APPROVED EQUAL.

CITY OF PALM SPRINGS PUBLIC WORKS & ENGINEERING DEPARTMENT	APPROVED: <i>[Signature]</i>	DATE: <i>1/3/08</i>
	CITY ENGINEER	R.C.E.
TREE ROOT BARRIER FOR EXISTING TREES	DRAWN BY: G.F.F.	FILE NO. STANDARDS
	CHECKED BY: M.L.F.	DWG. NO. 905