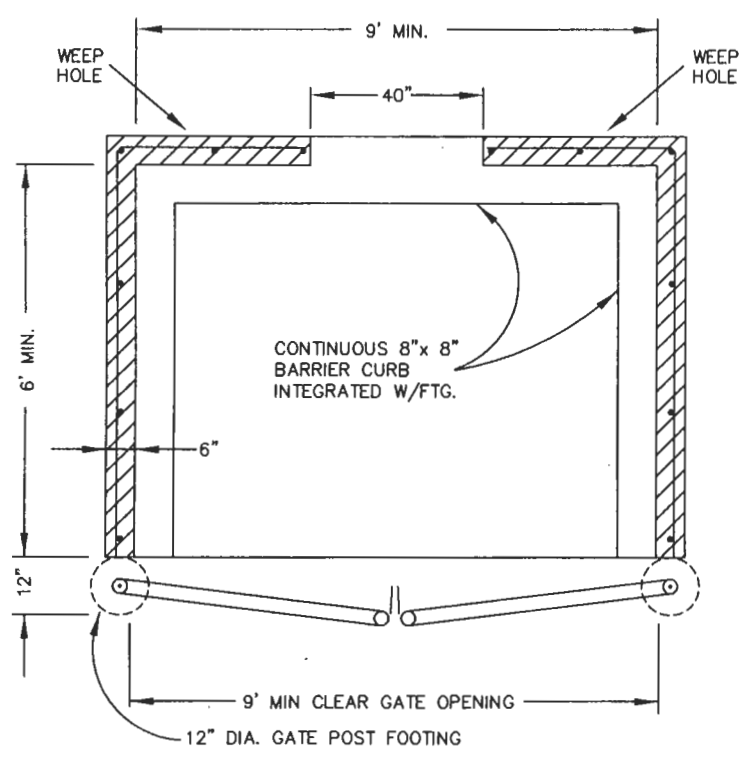


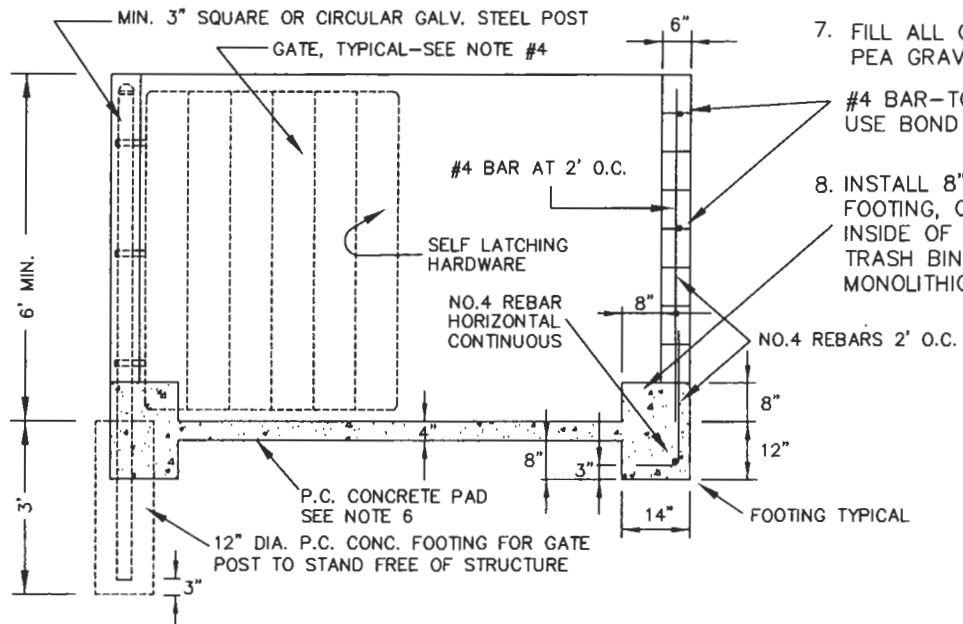
NO.	REVISIONS	APPROVED	DATE



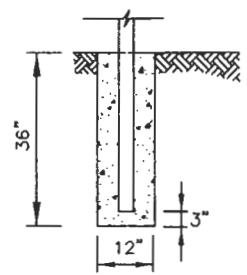
**PLAN VIEW**

**NOTES:**

1. TRASH AREA TO BE LOCATED SO AS TO BE ACCESSIBLE TO BOTH DEPOSIT AND PICKUP. LOCATION TO BE APPROVED BY PLANNING DEPARTMENT.
2. THE 40" WIDE OPENING FOR CUSTOMER ACCESS MAY BE PROVIDED ON ANY SIDE OF THE BLOCK WALL, SUBJECT TO PLANNING DEPARTMENT'S APPROVAL.
3. SIX INCH MASONRY BLOCK CONSTRUCTION WITH STANDARD STEEL REINFORCING RODS. FILL ALL CELLS WITH GROUT AND SMOOTH TOP WITH STEEL TROWEL FINISH.
4. METAL GATES WITH HEAVY DUTY HARDWARE, (TYPICAL) METAL PANEL GATES SHALL TOTALLY OBSCURE THE TRASH BINS, AND SHALL BE ARCHITECTURALLY COMPATIBLE WITH THE PROJECT.
5. GATE POSTS SHALL BE MINIMUM 3" DIA. GALVANIZED STEEL SET IN CONCRETE TO STAND FREE OF THE ENCLOSURE STRUCTURE.
6. FOUR INCH P.C. CONCRETE PAD. TOP OF PAD TO BE AT GROUND OR EDGE OF PAVING LEVEL.
7. FILL ALL CELLS WITH P.C. CONCRETE PEA GRAVEL GROUT.
8. INSTALL 8" X 8" BARRIER CURB WITH FOOTING, COMPLETELY AROUND INSIDE OF ENCLOSURE TO ACT AS TRASH BIN BUMPER GUARD. POUR MONOLITHICALLY WITH FOOTING.



**FRONT ELEVATION VIEW**



**DETAIL GATE POST FOOTING**

CITY OF PALM SPRINGS  
PUBLIC WORKS & ENGINEERING DEPARTMENT

**STANDARD TRASH ENCLOSURE**

APPROVED: <i>[Signature]</i>	DATE: 4/10/09
CITY ENGINEER	28931 R.C.E.
DRAWN BY: G.F.F.	FILE NO. STANDARDS
CHECKED BY: M.L.F.	DWG. NO. 902