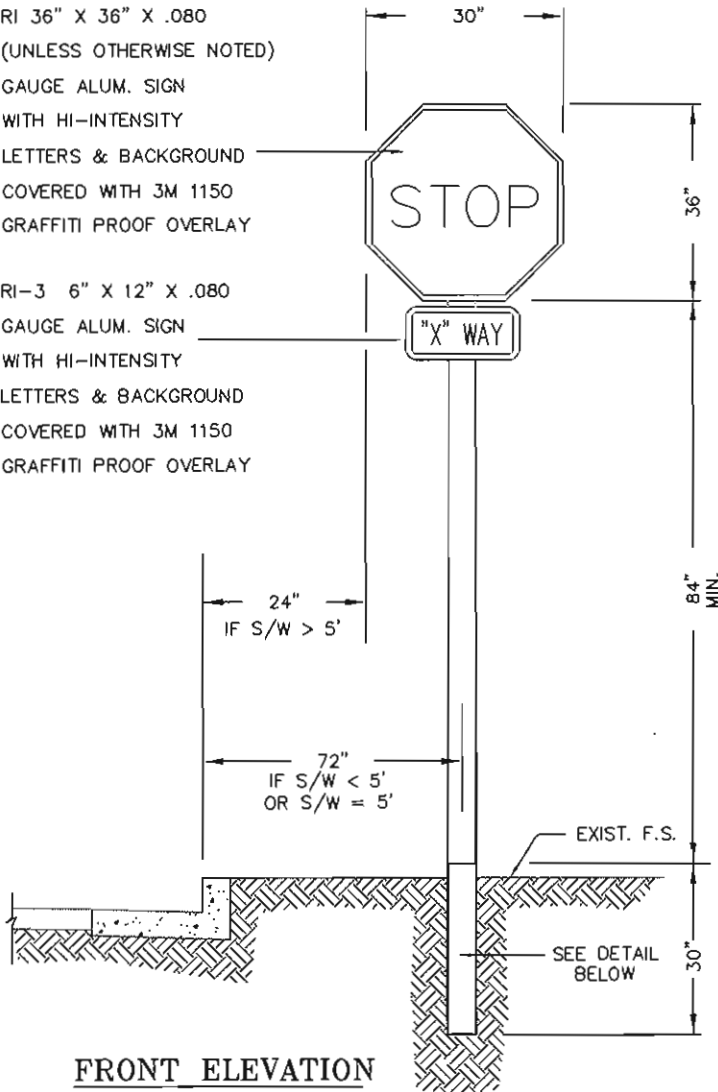


NO.	REVISIONS	APPROVED	DATE

RI 36" X 36" X .080  
(UNLESS OTHERWISE NOTED)  
GAUGE ALUM. SIGN  
WITH HI-INTENSITY  
LETTERS & BACKGROUND  
COVERED WITH 3M 1150  
GRAFFITI PROOF OVERLAY

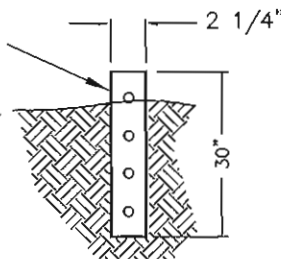
RI-3 6" X 12" X .080  
GAUGE ALUM. SIGN  
WITH HI-INTENSITY  
LETTERS & BACKGROUND  
COVERED WITH 3M 1150  
GRAFFITI PROOF OVERLAY



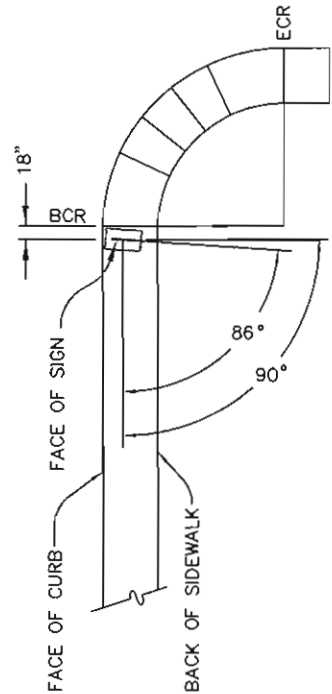
**FRONT ELEVATION**

2-1/4" x 2-1/4" x 30"  
TELESPAR SLEEVE PER POLE  
3-4" ABOVE THE EXISTING  
SURFACE.

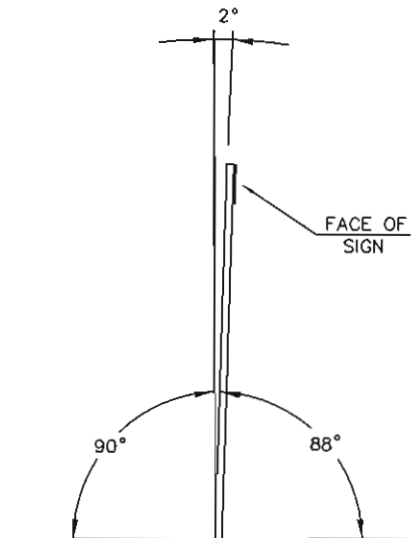
EXISTING SURFACE



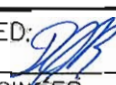
**POST INSTALLATION DETAIL**



**PLAN VIEW**



**SIDE ELEVATION**

<b>CITY OF PALM SPRINGS</b> PUBLIC WORKS & ENGINEERING DEPARTMENT	APPROVED: 	DATE: 12/18/07
	CITY ENGINEER	28931 R.C.E.
<b>STOP SIGN INSTALLATION</b>	DRAWN BY: G.F.F.	FILE NO. STANDARDS
	CHECKED BY: M.L.F.	DWG. NO. 620