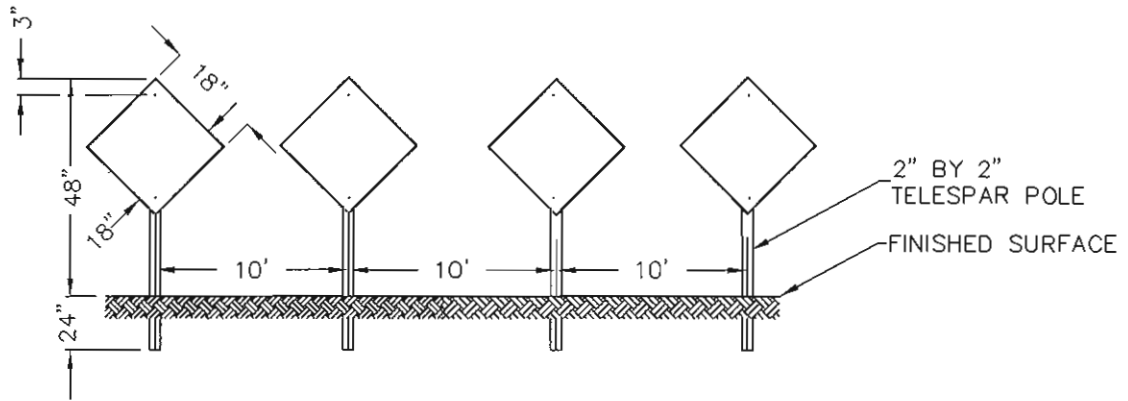
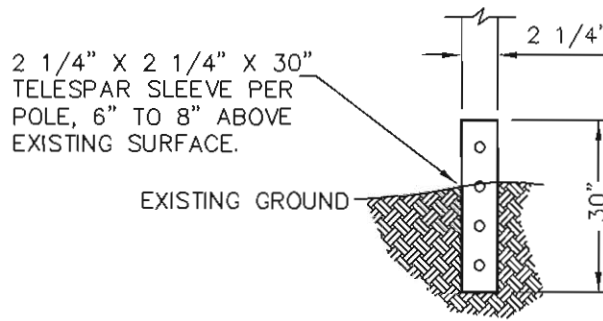


NO.	REVISIONS	APPROVED	DATE



TYPE "N" MARKERS



POST INSTALLATION



AS SHOWN ON PLANS

NOTES:

1. INSTALL POST MOUNTED REFLECTOR UNITS AT THE END OF STREETS OR ROADWAYS
2. USE 10 FOOT SPACING TO FIT VARIOUS STREETT WIDTHS. A MINIMUM OF TWO POST MOUNTED REFLECTOR UNITS SHALL BE INSTALLED ON STREET WIDTHS OF 20 FEET OR LESS.
3. THIS DRAWING REPLACES STANDARD DRAWING NO. 601
4. SPECIFIC TYPE OF MARKER TO BE INDICATED ON THE PLANS OR AS DIRECTED BY THE CITY ENGINEER.

<p>CITY OF PALM SPRINGS PUBLIC WORKS & ENGINEERING DEPARTMENT</p>	<p>APPROVED: <i>[Signature]</i></p>		<p>DATE: <i>12/18/02</i> 28931</p>
	<p>CITY ENGINEER</p>		<p>R.C.E.</p>
<p>POST MOUNTED REFLECTOR UNITS</p>	<p>DRAWN BY: G.F.F.</p>	<p>FILE NO. STANDARD</p>	
	<p>CHECKED BY: M.L.F.</p>	<p>DWG. NO. 605</p>	