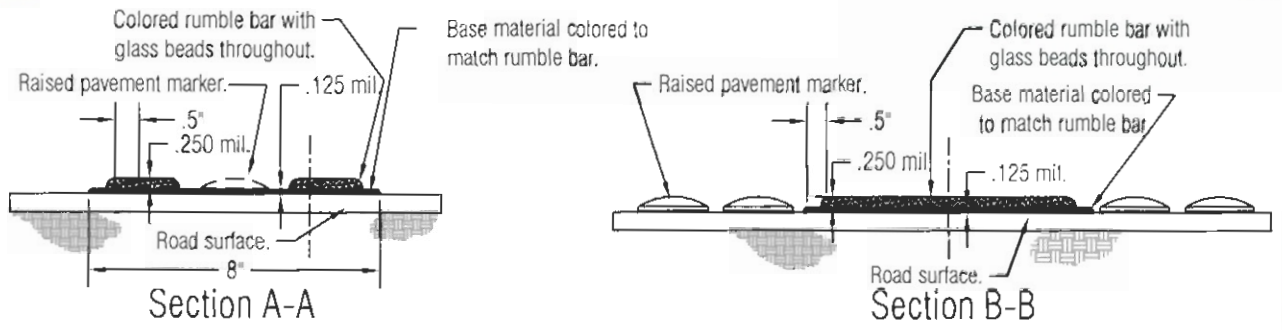
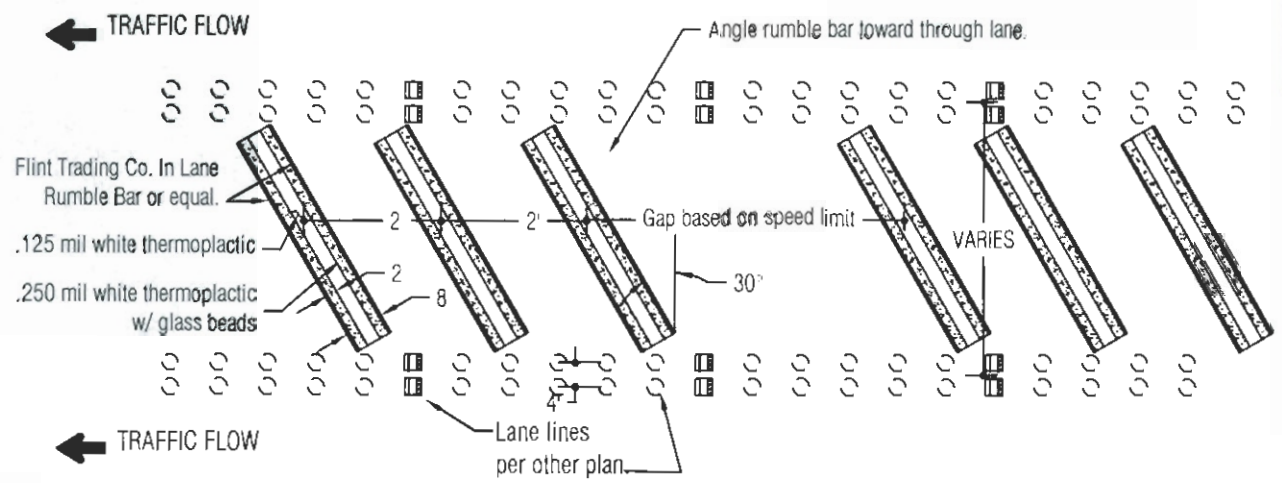


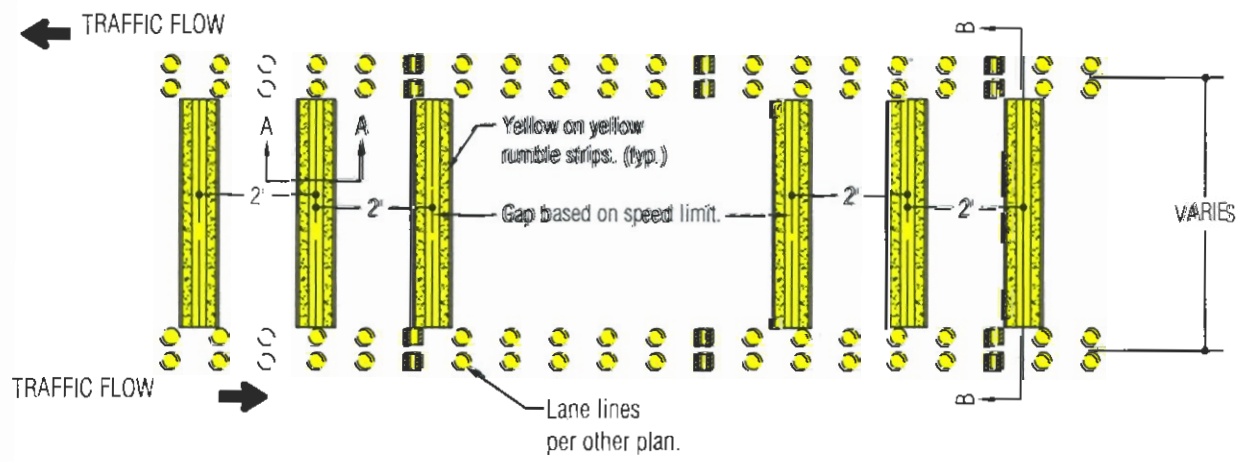
NO.	REVISIONS	APPROVED	DATE



In Lane Rumble Bar Details



Rumble Strip Detail for One Way Traffic



Rumble Strip Detail for Two Way Traffic

CITY OF PALM SPRINGS PUBLIC WORKS & ENGINEERING DEPARTMENT	APPROVED: <i>DJB</i>	DATE: <i>1/15/08</i>
	CITY ENGINEER	<i>28931</i>
Typical Rumble Strip Detail	DRAWN BY: <i>RBJ</i>	FILE NO. Standard Plans
	CHECKED BY: <i>DJB</i>	DWG. NO. 601