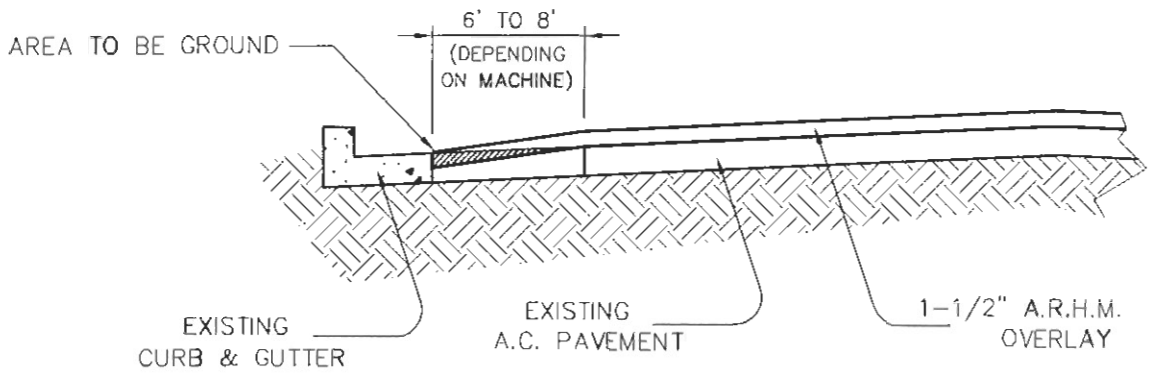
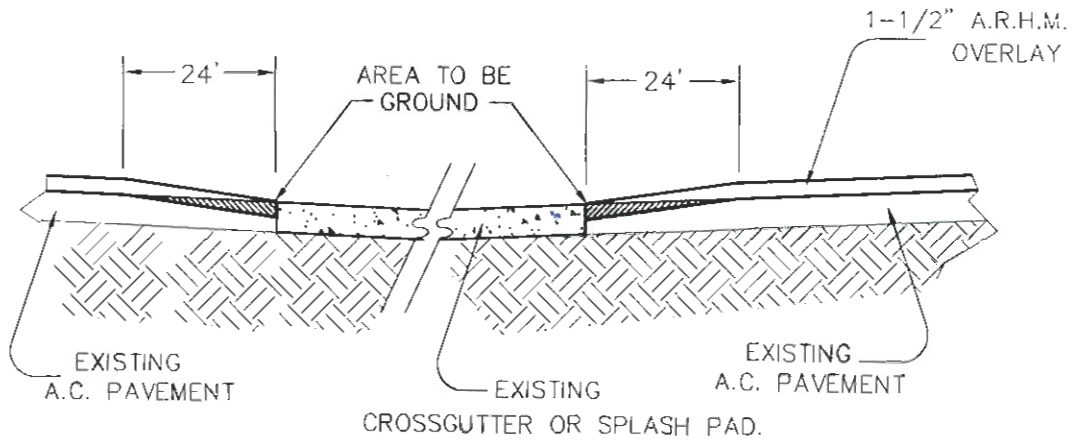


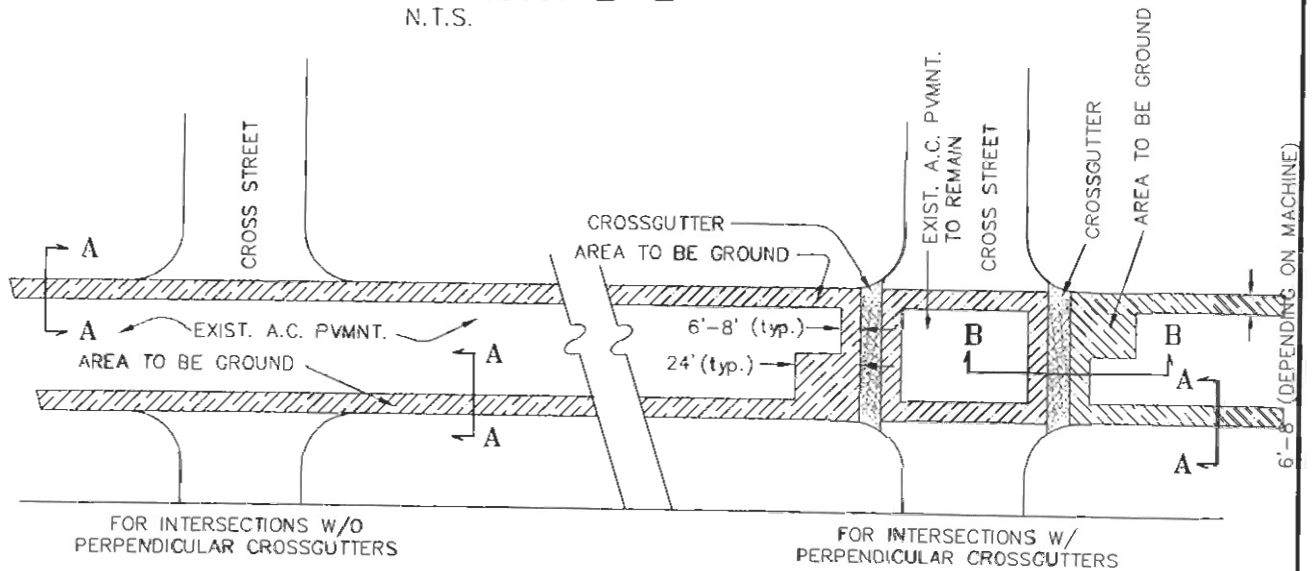
NO.	REVISIONS	APPROVED	DATE



CROSS SECTION A-A
N.T.S.



CROSS SECTION B-B
N.T.S.



CITY OF PALM SPRINGS PUBLIC WORKS & ENGINEERING DEPARTMENT	APPROVED: <i>[Signature]</i>	DATE: <i>2/8/02</i>
	CITY ENGINEER	28209 R.C.E.
FEATHERING DETAIL FOR OVERLAY	DRAWN BY: G.F.F.	FILE NO. STANDARDS
	CHECKED BY: M.L.F.	DWG. NO. 500