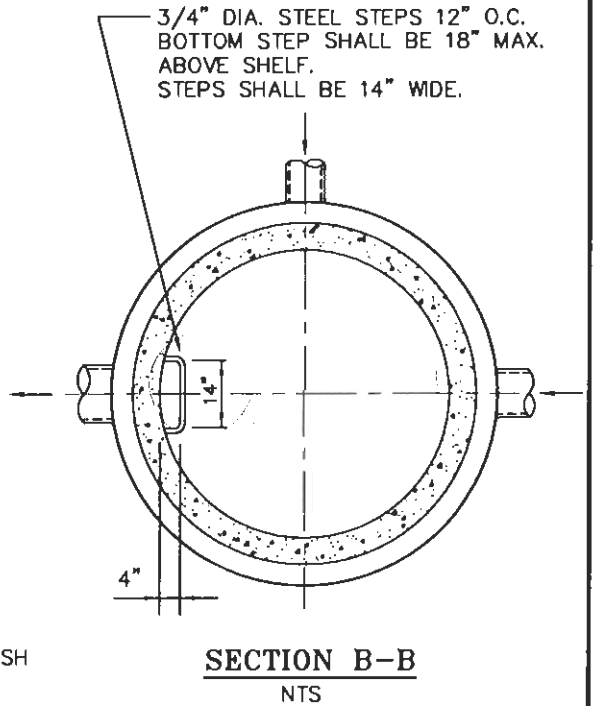
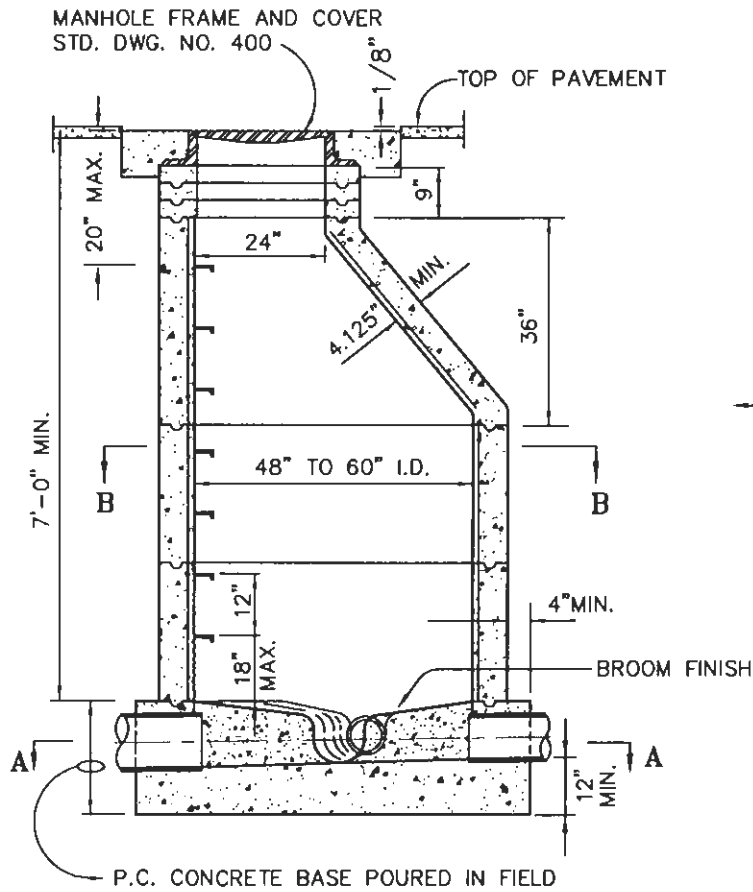
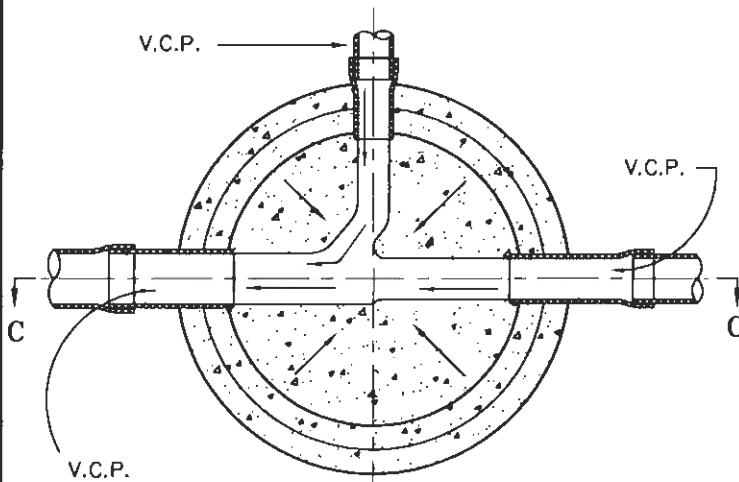


NO.	REVISIONS	APPROVED	DATE



**SECTION ELEVATION OF PRECAST MANHOLE
ECCENTRIC CONE (SECTION C-C)**



PLAN OF BASE AT A-A

NOTES:

1. PRECAST REINFORCED CONCRETE MANHOLE PIPE TO MEET REQUIREMENTS OF ASTM C 478 SPECIFICATIONS WITH INCREASES IN REINFORCEMENT AND WALL THICKNESS TO MEET LOCAL REQUIREMENTS. MINIMUM COMPRESSIVE STRENGTH OF CONCRETE SHALL BE 4000 P.S.I. AT 28 DAYS.

PCC SHALL BE 560C-3250, 6 SACK FOR BASE.

2. MAXIMUM SIZE PIPE ALLOWED

PIPE SIZE	M. H. DIA.
8" TO 18"	48"
20" TO 30"	60"

3. OPTIMUM DISTANCE BETWEEN MANHOLES IS 300 FEET, UNLESS APPROVED BY THE CITY ENGINEER.

CITY OF PALM SPRINGS PUBLIC WORKS & ENGINEERING DEPARTMENT PRECAST CONCRETE MANHOLE 48" TO 60" I.D.	APPROVED: <i>[Signature]</i>	DATE: <i>[Signature]</i>
	CITY ENGINEER	28931 R.C.E.
DRAWN BY: G.F.F.	FILE NO. STANDARDS	
CHECKED BY: M.L.F.	DWG. NO. 403	