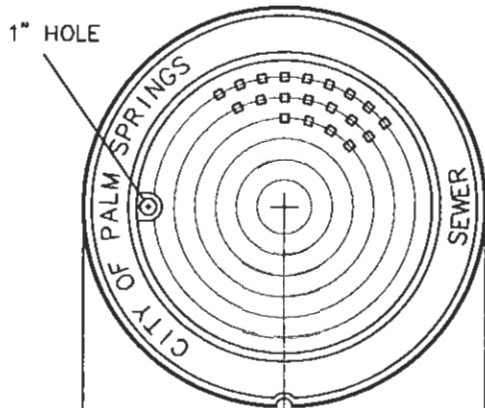
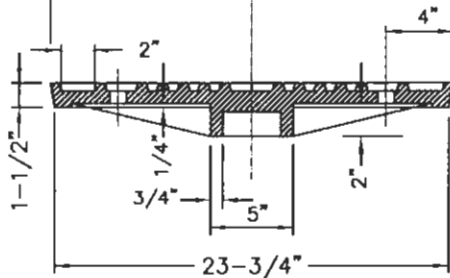


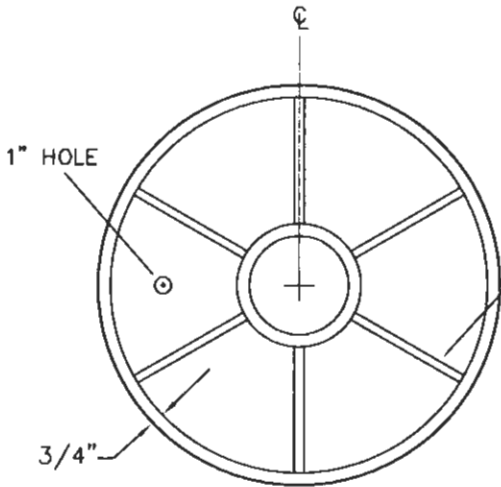
| NO. | REVISIONS | APPROVED | DATE |
|-----|-----------|----------|------|
| | | | |
| | | | |



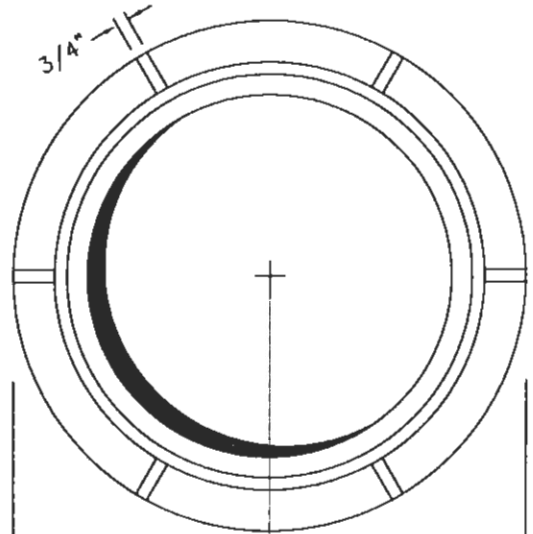
TOP VIEW - COVER



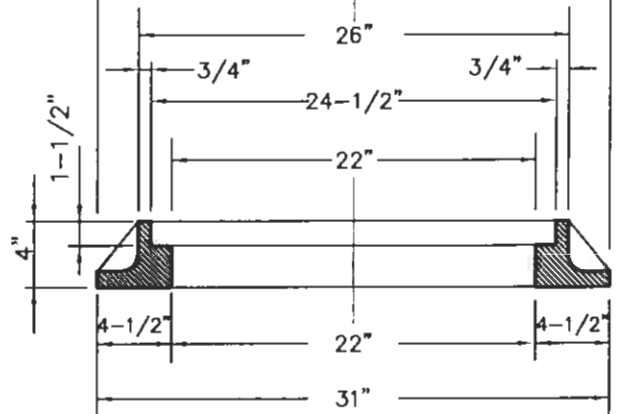
CROSS SECTION - COVER



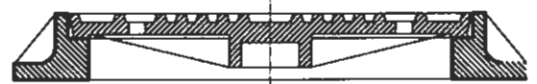
BOTTOM VIEW - COVER



TOP VIEW - FRAME





CROSS SECTION - FRAME



**CROSS SECTION
FRAME AND COVER: A-1310**

NOTES:

1. TRAFFIC STRENGTH MANHOLE COVER AND FRAME: ALHAMBRA FOUNDRY CO. PLATE NO. A-1310 OR EQUAL. PLATE NO. A-1310 OR EQUAL.
2. WHEN UTILIZED AS PART OF A PRIVATE SEWER, THE COVER SHALL HAVE THE WORDS "PRIVATE SEWER" INSTEAD OF "CITY OF PALM SPRINGS".

| | |
|--|---|
| CITY OF PALM SPRINGS PUBLIC WORKS & ENGINEERING DEPARTMENT MANHOLE FRAME AND COVER FOR TRAFFIC | APPROVED:  DATE:  CITY ENGINEER R.C.E. |
| | DRAWN BY: G.F.F. FILE NO. STANDARDS CHECKED BY: M.L.F. DWG. NO. 400 |