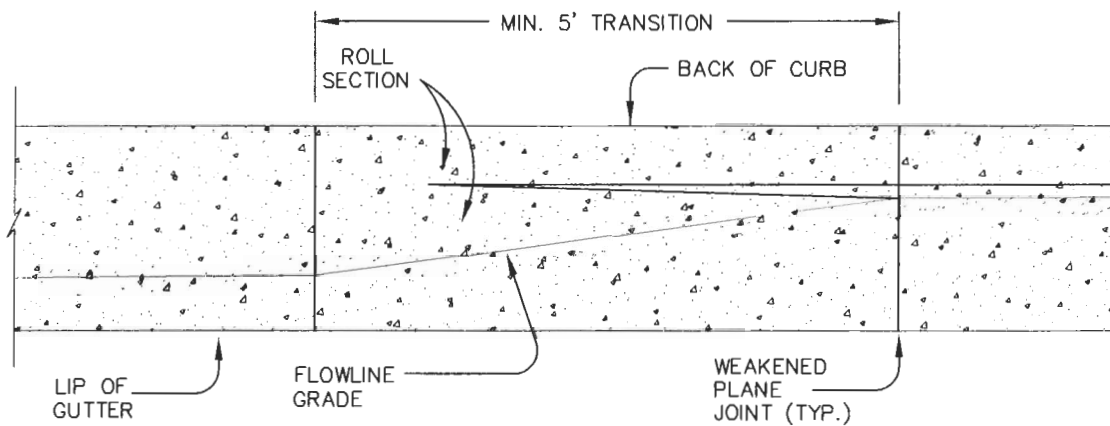
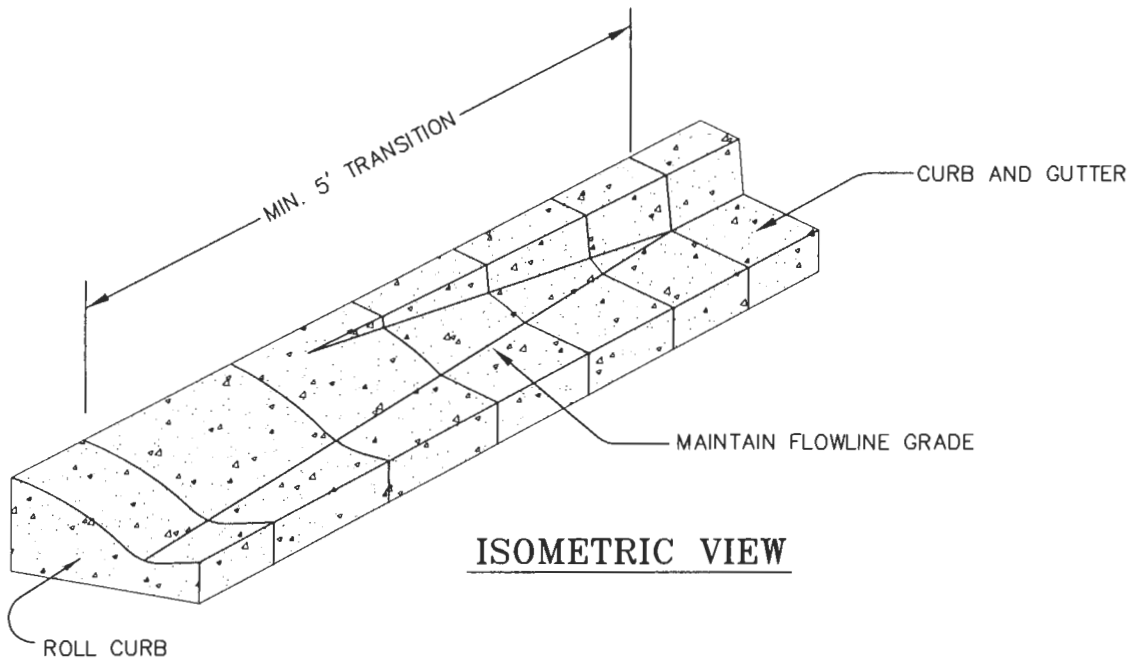


| NO. | REVISIONS | APPROVED | DATE |
|-----|-----------|----------|------|
| | | | |
| | | | |
| | | | |



NOTES:

1. CURB SHALL BE CONSTRUCTED WITH CLASS 560-C-3250 PORTLAND CEMENT CONCRETE IN ACCORDANCE WITH STANDARD SPECIFICATIONS FOR PUBLIC WORKS CONSTRUCTION, LATEST EDITION.
2. SEE C.P.S. STD. DWG. 200 FOR CURB DETAILS; ROLL CURB NOT ALLOWED FOR NEW CONSTRUCTION.

CITY OF PALM SPRINGS
PUBLIC WORKS & ENGINEERING DEPARTMENT

APPROVED: *[Signature]* DATE: *12/1/07*
28931
CITY ENGINEER R.C.E.

ROLL CURB TRANSITION

DRAWN BY: G.F.F. FILE NO. STANDARDS
CHECKED BY: M.L.F. DWG. NO. **209**