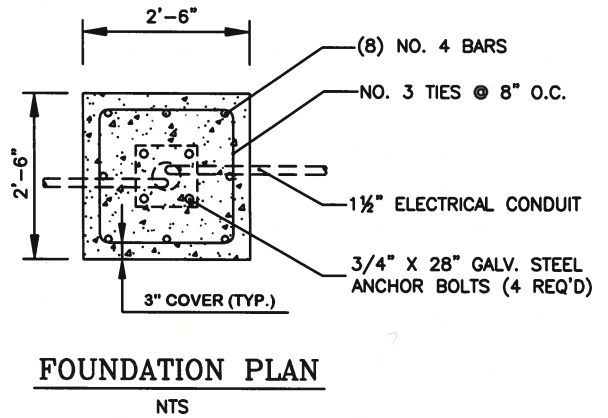
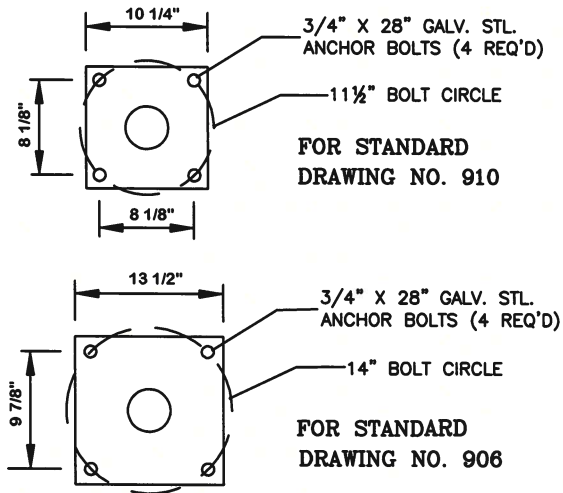
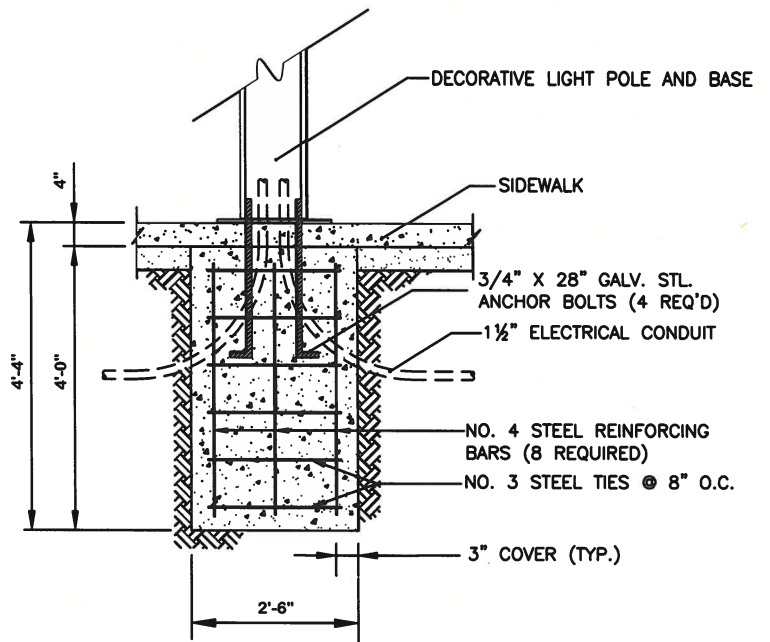
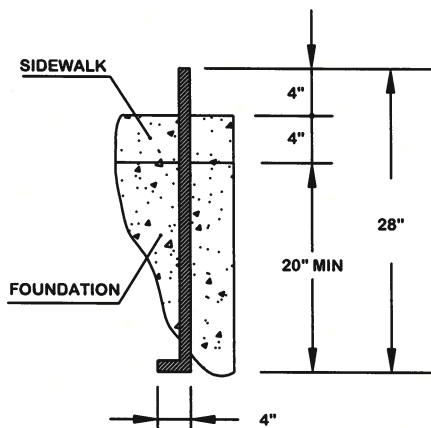


No.	REVISIONS	APPROVED	DATE



**ANCHOR BOLT PLACEMENT**

NTS



**NOTES:**

1. ALL CONCRETE PLACED AGAINST EARTH SURFACE SHALL HAVE NOT LESS THAN 3" COVER OVER REINFORCING STEEL.
2. CONCRETE SHALL HAVE A MINIMUM COMPRESSIVE STRENGTH OF 2000 PSI AT 28 DAYS.
3. ALL ANCHOR BOLTS SHALL BE ASTM A 307 BENT ANCHOR BOLTS. FIELD BENDING NOT PERMITTED.
4. REINFORCED STEEL SHALL BE ASTM A 615 GRADE BARS, SIZED AS SHOWN BELOW. FIELD BENDING NOT PERMITTED.

CITY OF PALM SPRINGS  
ENGINEERING DIVISION

APPROVED:

*Jack [Signature]*  
CITY ENGINEER

DATE: 5-23-22

62624  
R.C.E.

FOUNDATION TYPE "A"  
FOR LUMINAIRE

DRAWN BY: J.D.S.

FILE NO. STANDARDS

CHECKED BY: J.R.M.

DWG. NO. 907